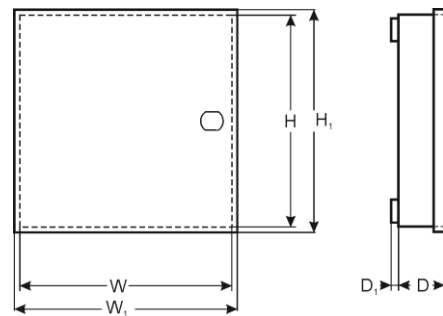


CODE: AWO150PU v.1.9/IV
NAME: 7/40/DSPR/PUSTA



DESTINATION

DSC: (PC 1404, 1616, 1832, 1864, 4020, HS2016, HS2032, HS2064, HS2128) + 5108 (4108, 5208, 5100, 4116, HSM2108, HSM2208)

MODULES: 5x (4108, 5108, 5208, 5100, 4116, HSM2108, HSM2208)

1 x (4204, 4216, 4580, 5400, 5204, 5580, 5200, GSM/GPRS 3G2060, GSM/GPRS TL260GS, GSM/HSPA 3G2080E, GSM/HSPATL2803GE)

PARADOX: (728ULT, E55, E65, SP4000, SP5500, SP6000, SP7000, EVO48, EVO192) + ZX8 (ZX4, PGM4)

MODULES: 2x (ZX8, ZX4, APR3- HUB2, PGM4)

1x (APR3-ADM2)

RISCO: PRO24 + EZ16 (E04, EZ8)

PRO116, 128, 140

MODULES: 2x EZ16 (E04, EZ8)

SATEL: CA4V1, CA5, CA6

(VERSA5,10, 15, CA10)+ CA10E (CA64E, SM, MST1)

(INTEGRA24, 32) + CA64E, (SM)

MODULES: CA64 (PP, EPS, ADR, O-R, O-ROC, O-OC, OPS- OC, OPS- R, OPS- ROC, VGM- 16, SR, PTSA) + CA64E (SM)

PYRONIX: MATRIX 424, 6, 816, 832, 832+

CROW: RUNNER 4,8

TELMOR: TCA- 824

ROEL: SIGMA6,12, CERBER

ROGER: PR402, CPR 32- SE

EBS: PX 202A

PULSAR: MS1012, MSR1012, MSRK1012

MS2012, MSR2012, MSRK2012

TECHNICAL DATA

External dimensions of the enclosure: W=280, H=290, D+D1=80+8 [+/-2 mm]

External dimensions of the front panel: W1=285, H1=295 [+/-2 mm]

Weight net/gross: 1,65kg / 1,80kg [+/-0,1kg]

Battery space: 7Ah/12 V Sealed Lead Acid (SLA)

Transformer: without transformer - can be mounted in the casing: TRP20, TRP40, TRZ20, TRZ40, EI20, EI40

Tamper protection: 1 x microswitch: opening, 0,5 A@50 V DC max. NC

Material description: sheet steel DC01, thickness: 0,7mm, protection anticorrosion, color: RAL 9003

Destination: indoor

Closing: screwed x 4

Notes: optional: lockable, distance from wall (mounting surface) - 8mm, easy door removal

Declaration, warranty: CE, 2 year from the production date